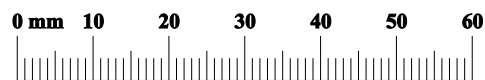
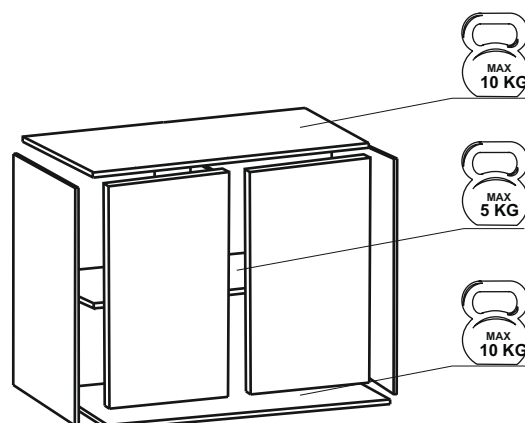
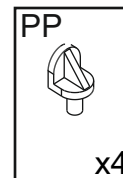
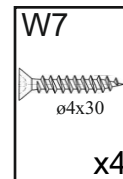
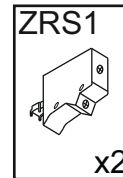
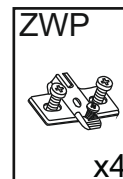
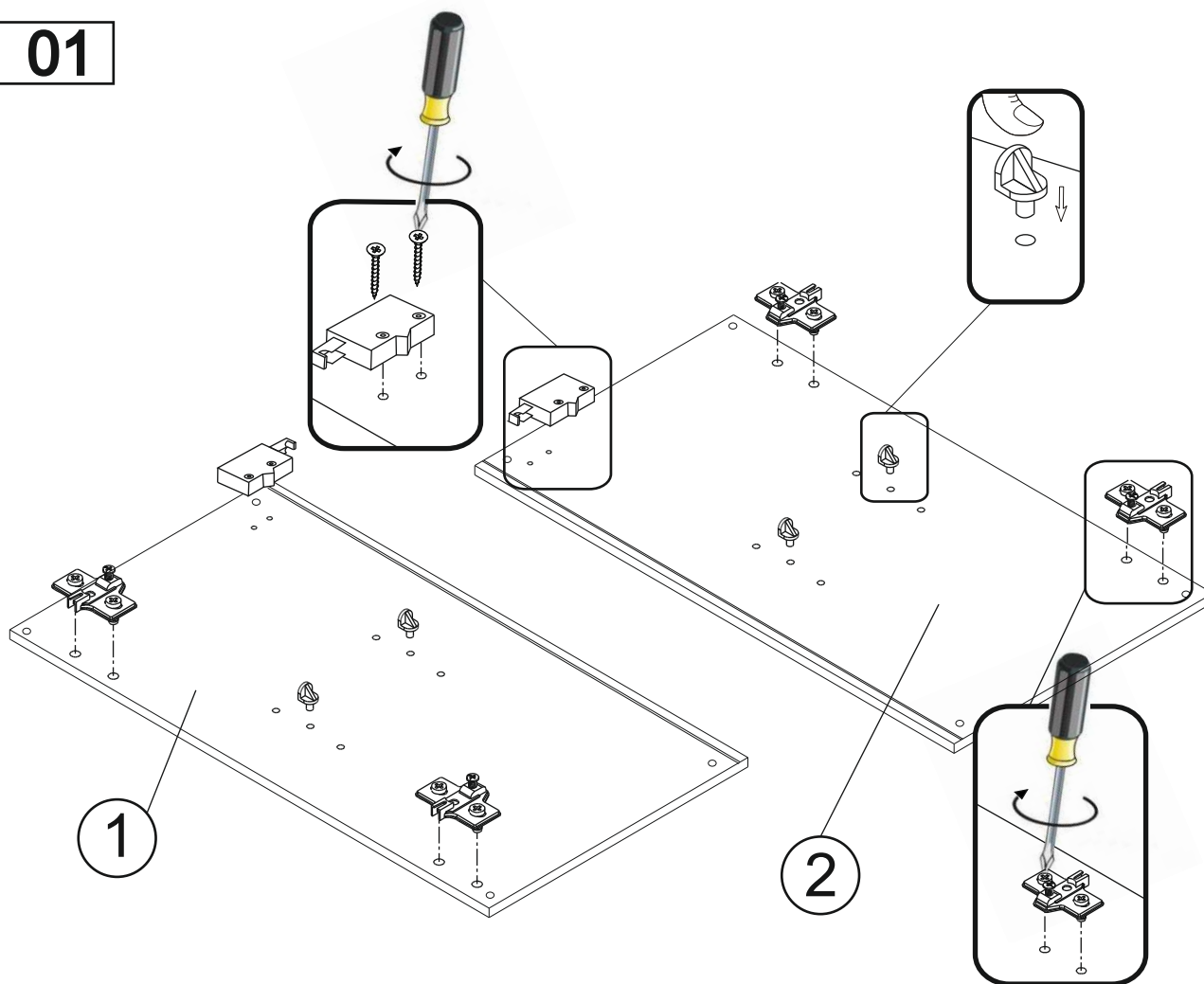


1/1	1	16x300x717	x1
	2	16x300x717	x1
	4	16x282x567	x1
	3	16x282x567	x1
	9	16x255x567	x1
	6	3x290x712	x1
	8	16x279x676	x1
	7	16x279x676	x1
	5	3x290x712	x1

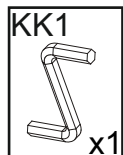
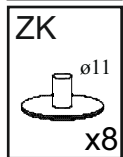
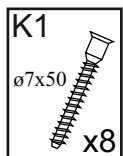
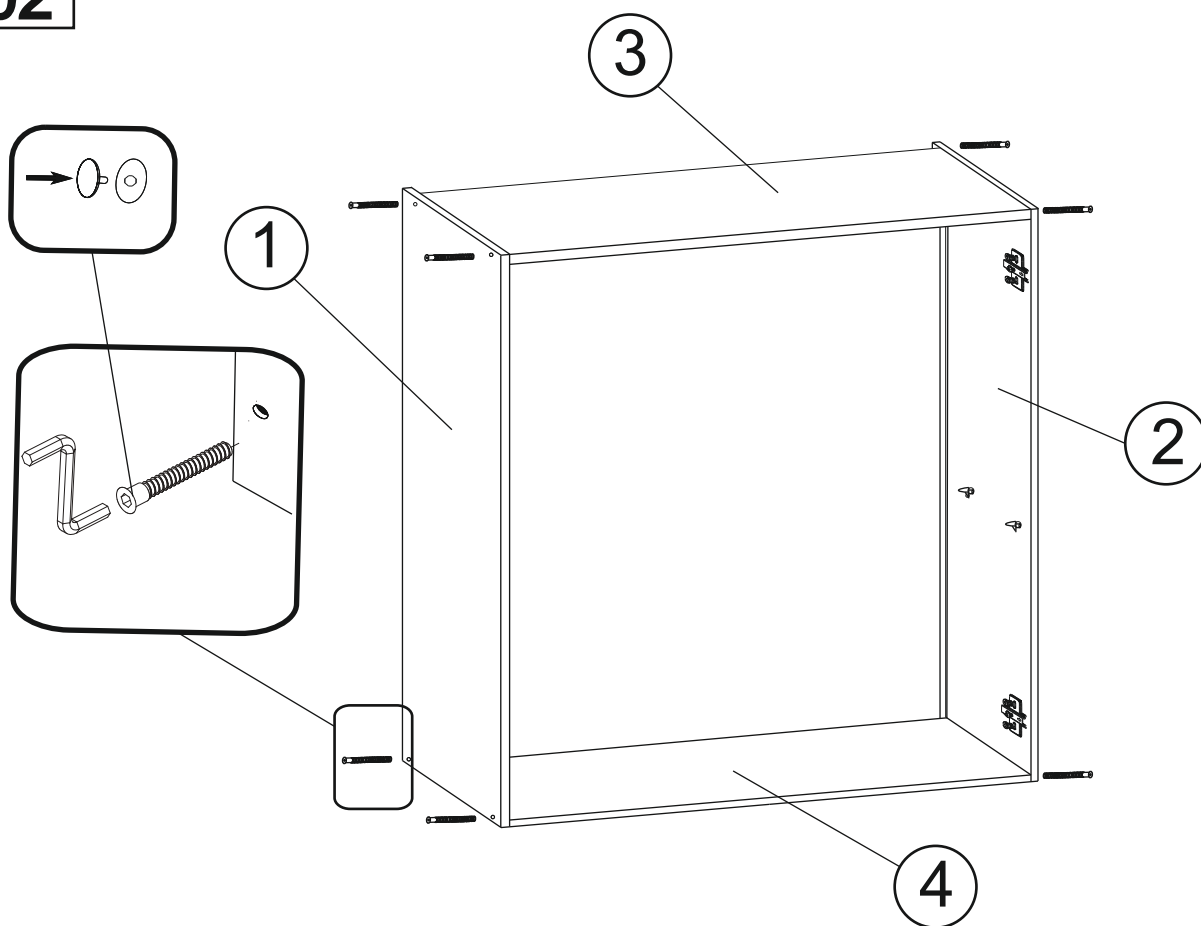


<b>KRW1</b>  ø8 x4	<b>W11</b>  ø3,5x16 x8	<b>AM2</b>  x2	<b>K1</b>  ø7x50 x8	<b>ZWP1</b>  x4	<b>ZWP</b>  x4	<b>KK1</b>  x1	<b>ZK</b>  ø11 x8
<b>WK1</b>  x1	<b>LI</b>  L-684 x1	<b>ZRS1</b>  x2	<b>W1</b>  ø3x16 x12	<b>W7</b>  ø4x30 x4	<b>U50</b>  x2	<b>AM1</b>  x2	<b>LMM1</b>  x2
		<b>W4</b>  ø4x13 x8	<b>PP</b>  x4				

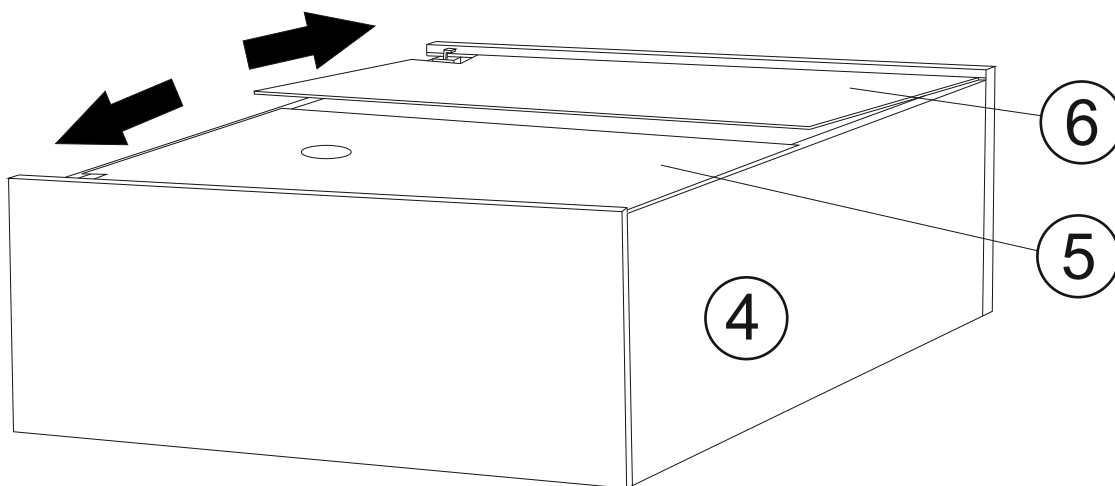
## 01



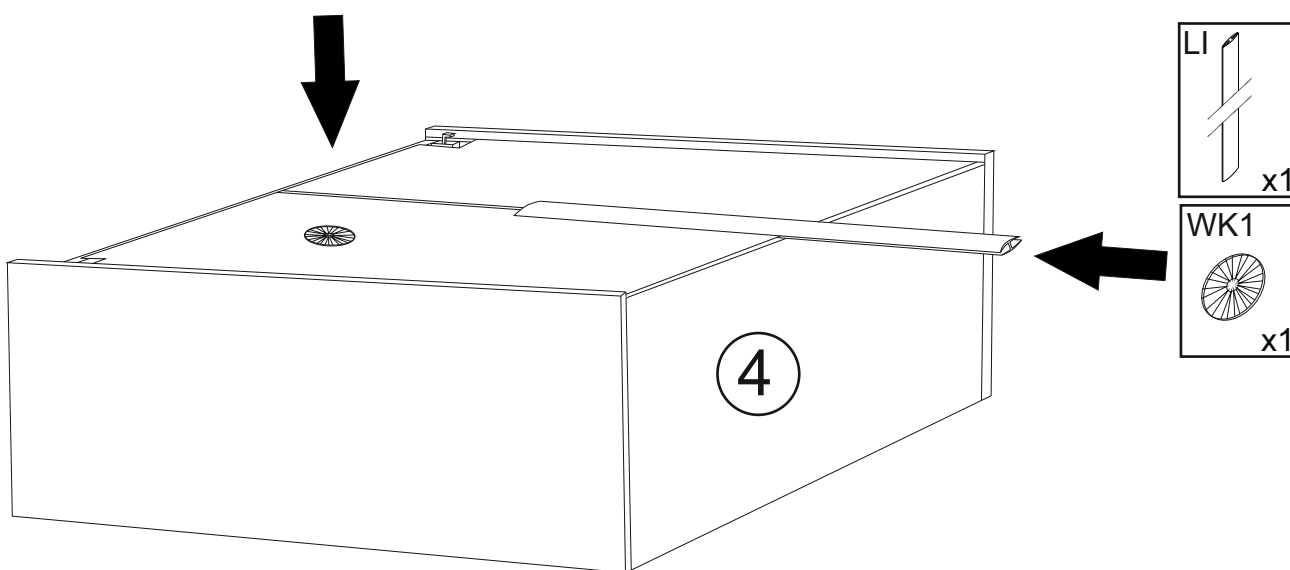
## 02



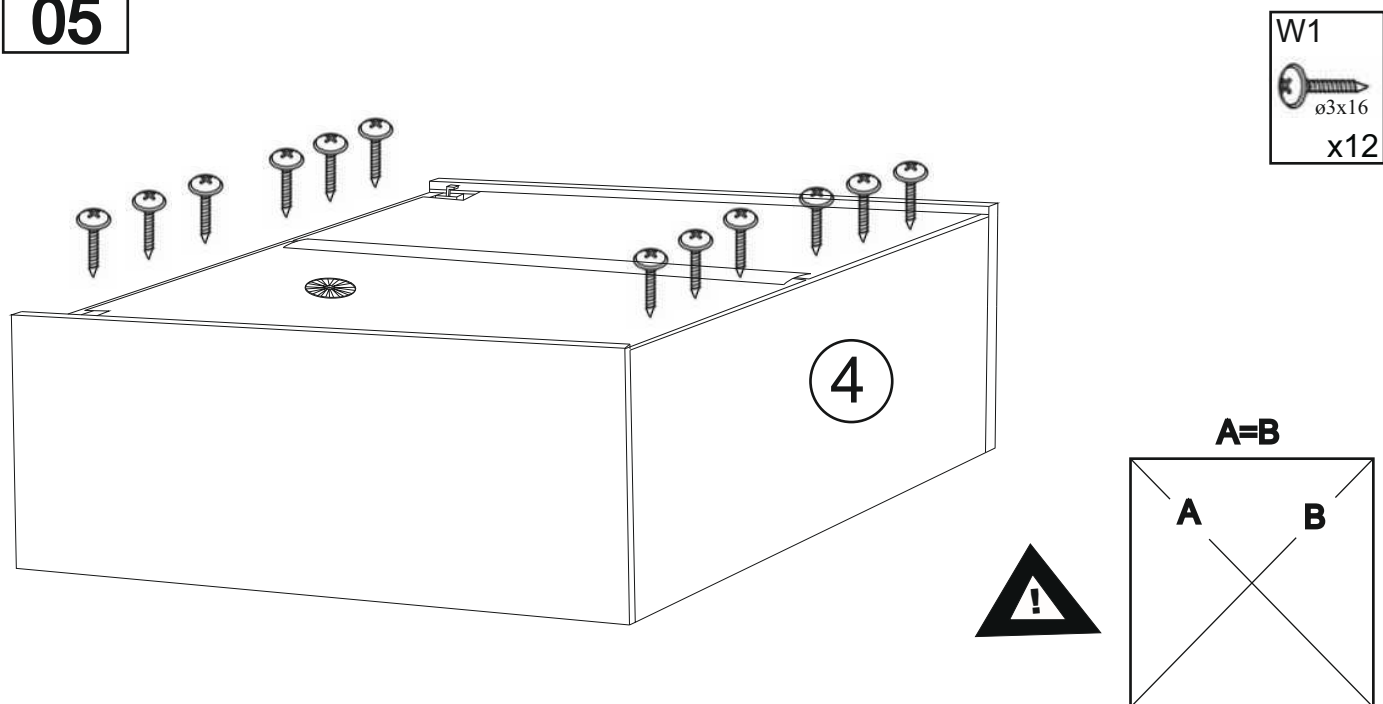
03



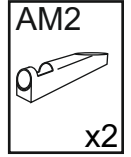
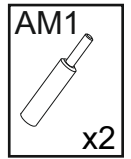
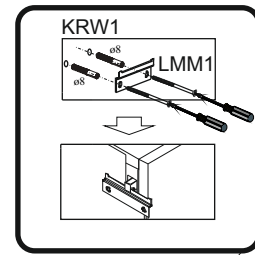
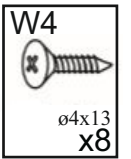
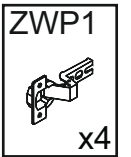
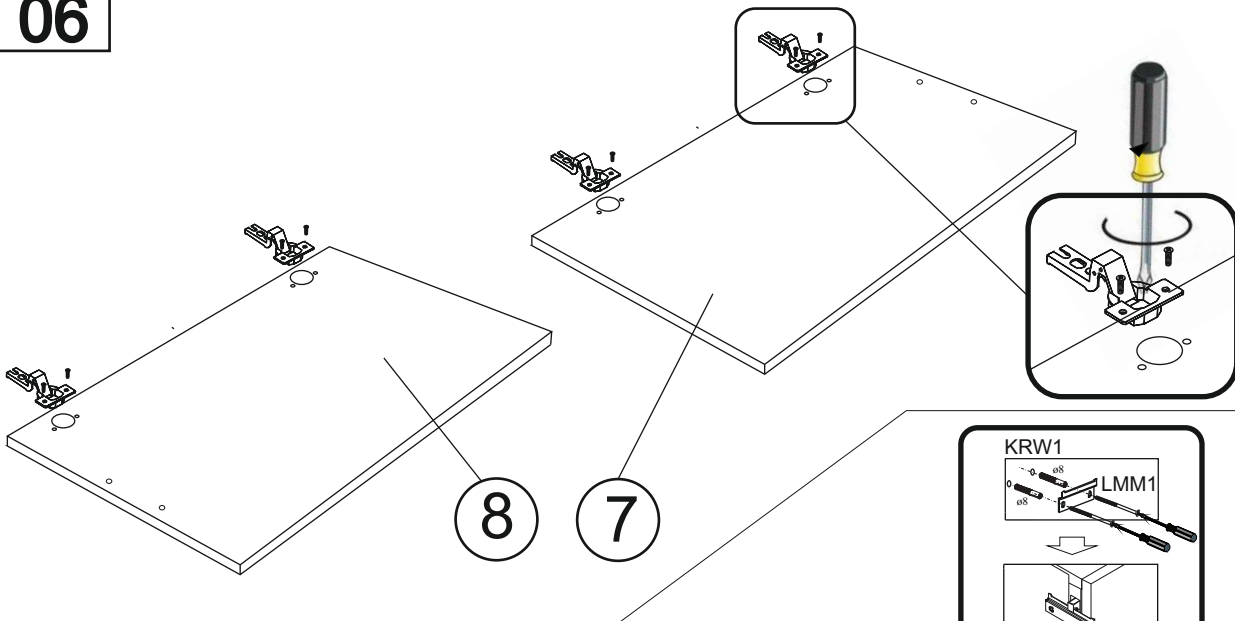
04



05



06



07

