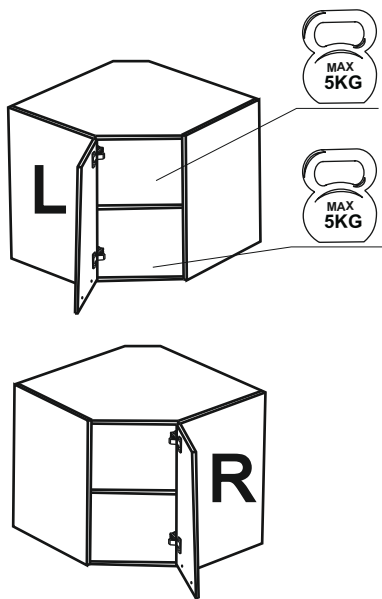
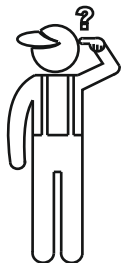


**L/R ?**

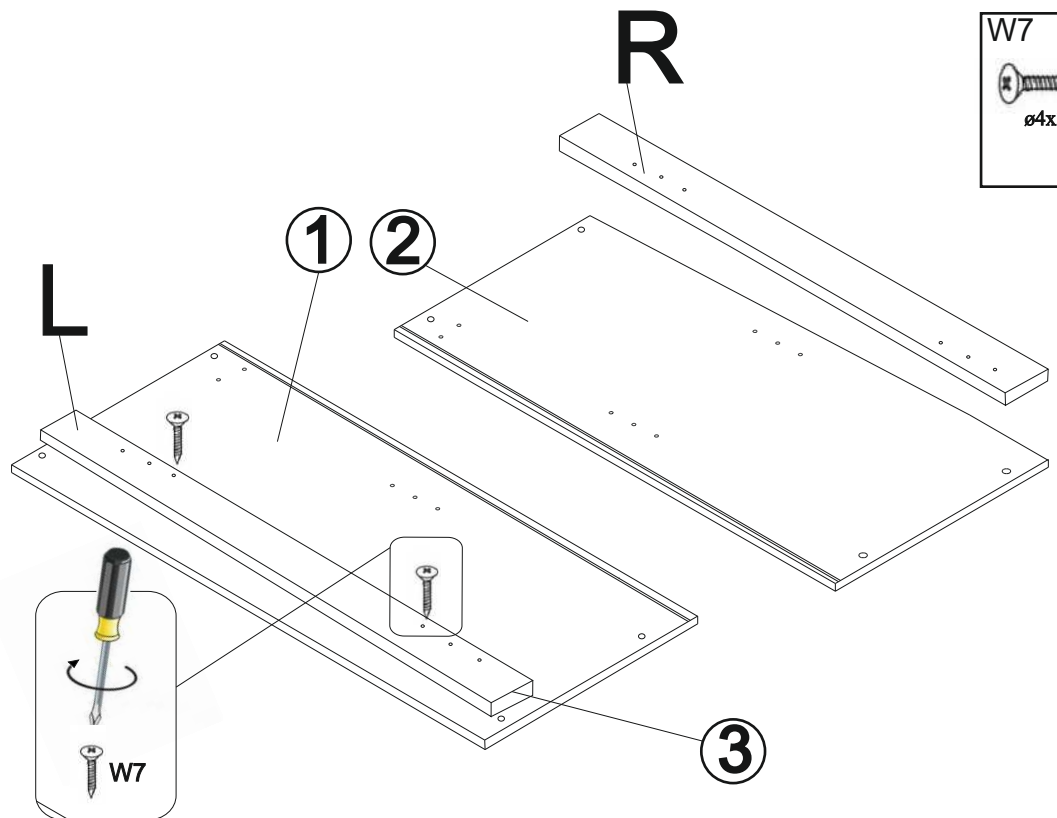
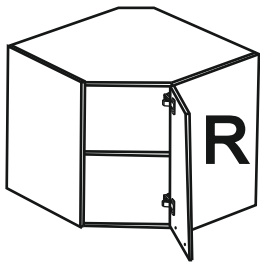
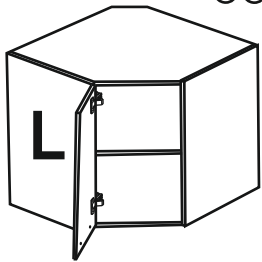
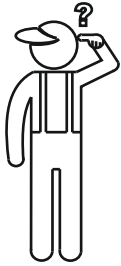


1/1	6	16x566x566	x1
	11	16x565x565	x1
	8	3x509x712	x1
	9	3x509x712	x1
	7	16x566x566	x1
	4	16x80x50	x1
	5	16x120x684	x1
	3	16x60x684	x1
	2	16x300x717	x1
	1	16x300x717	x1
10	16x394x676	x1	

<b>WK1</b>  x1	<b>W11</b>  ø3,5x16 x4	<b>K1</b>  ø7x50 x11	<b>ZK1</b>  x2	<b>ZK</b>  x2	<b>KK1</b>  x1	<b>W7</b>  ø4x30 x8
<b>KRW1</b>  ø8 x6	<b>LMM1</b>  x3	<b>KT1</b>  ø8x35 x1	<b>ZRS1</b>  x3	<b>U50</b>  x1	<b>AM1</b>  x1	<b>AM2</b>  x1
0 mm 10 20 30 40 50 60			<b>ZK</b>  ø11 x11	<b>W4</b>  ø4x13 x4	<b>PP</b>  x5	<b>W1</b>  ø3x16 x40

### 01

### L/R ?



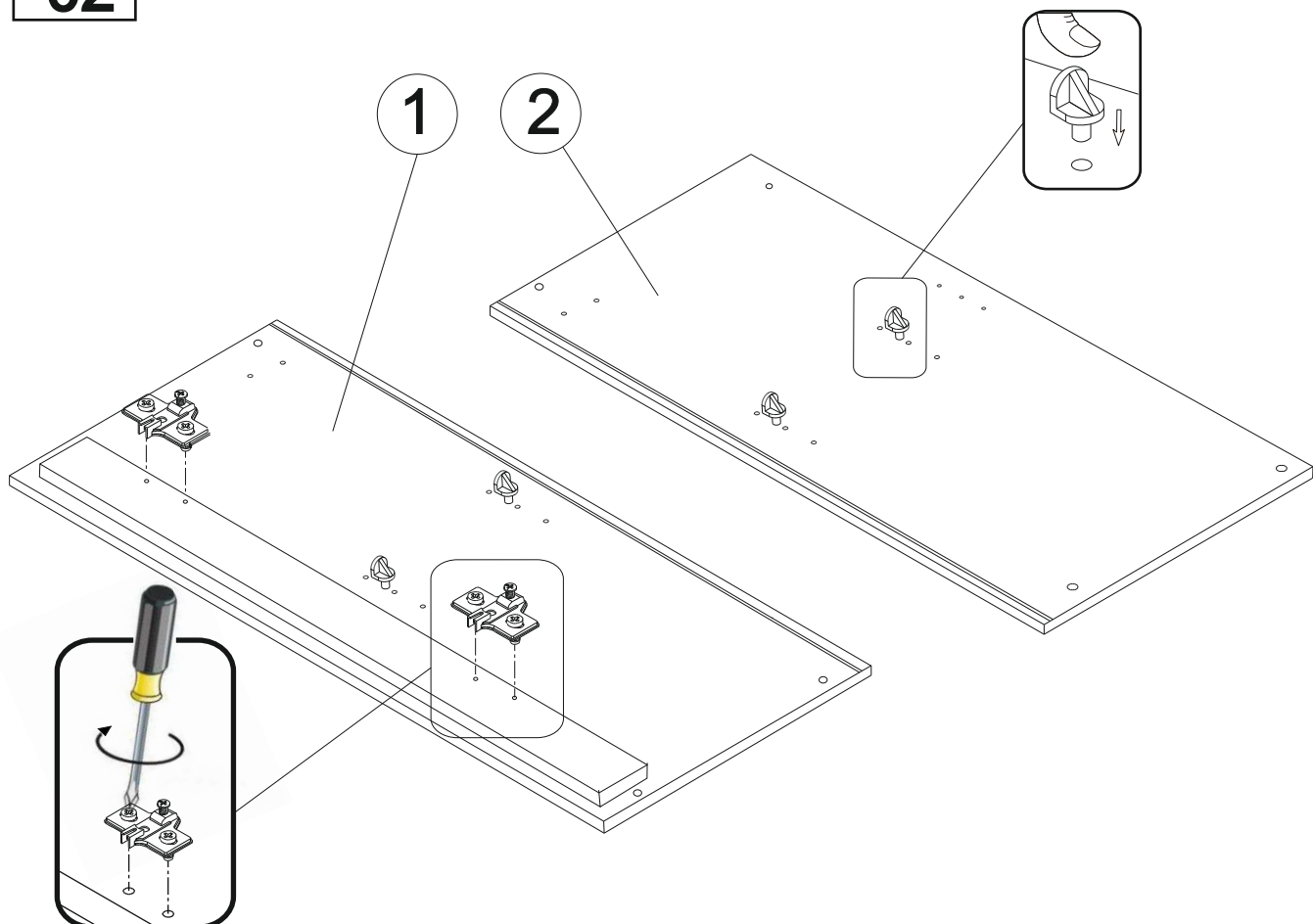
W7



ø4x30

x2

### 02



ZK



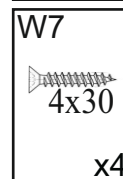
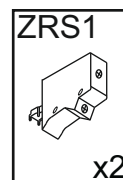
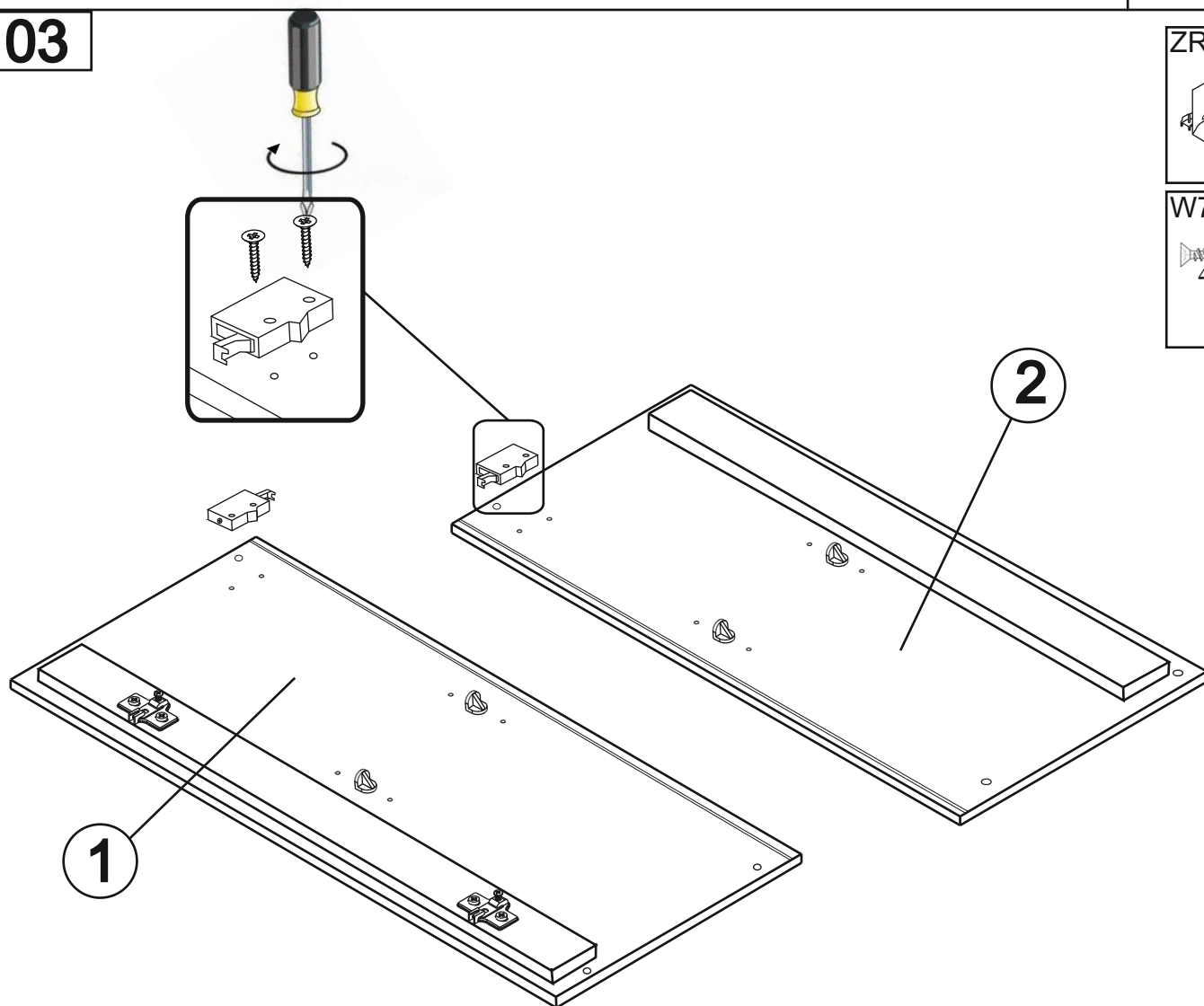
x4

PP

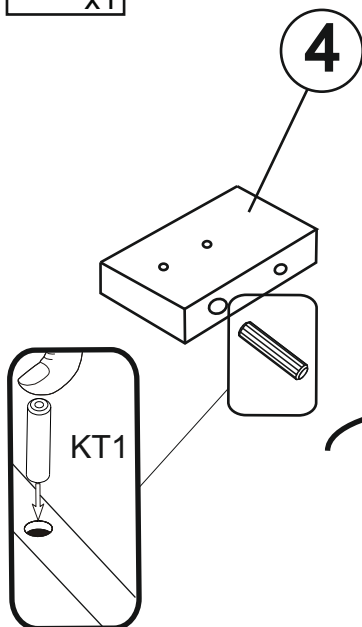
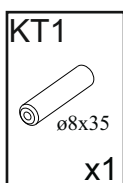


x4

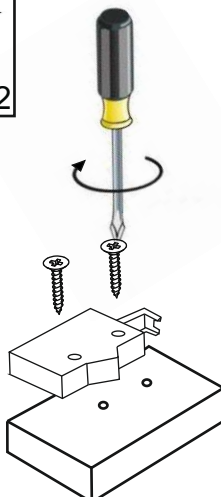
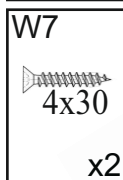
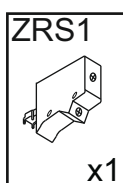
### 03



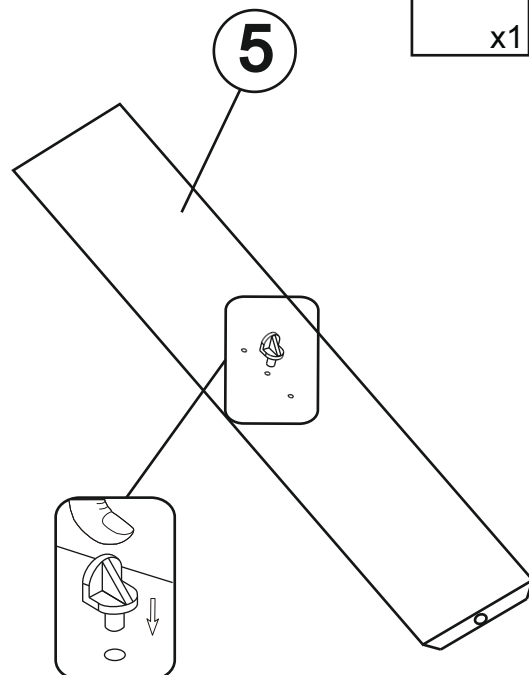
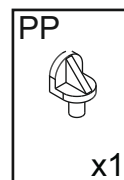
### 04



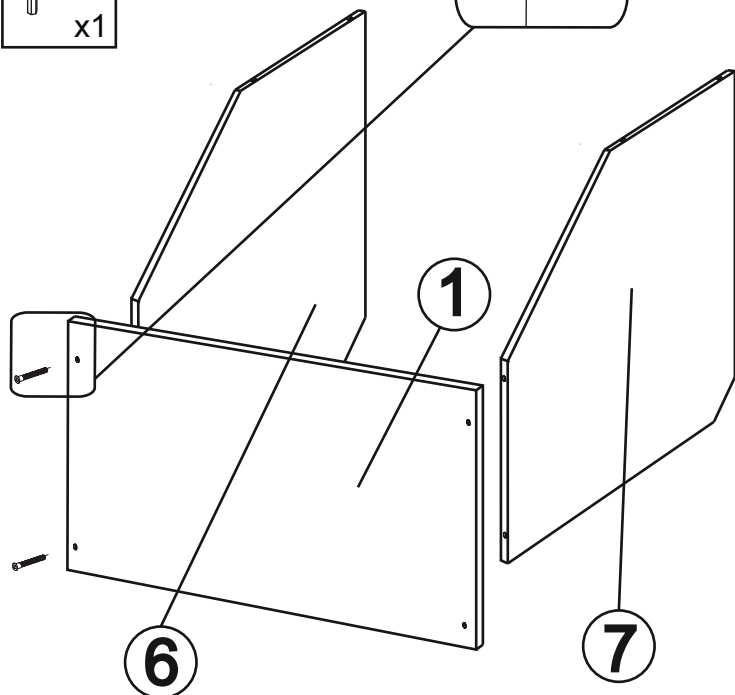
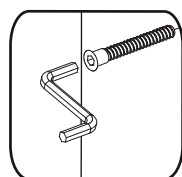
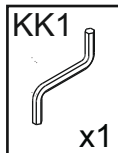
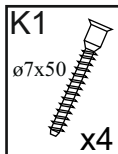
### 05



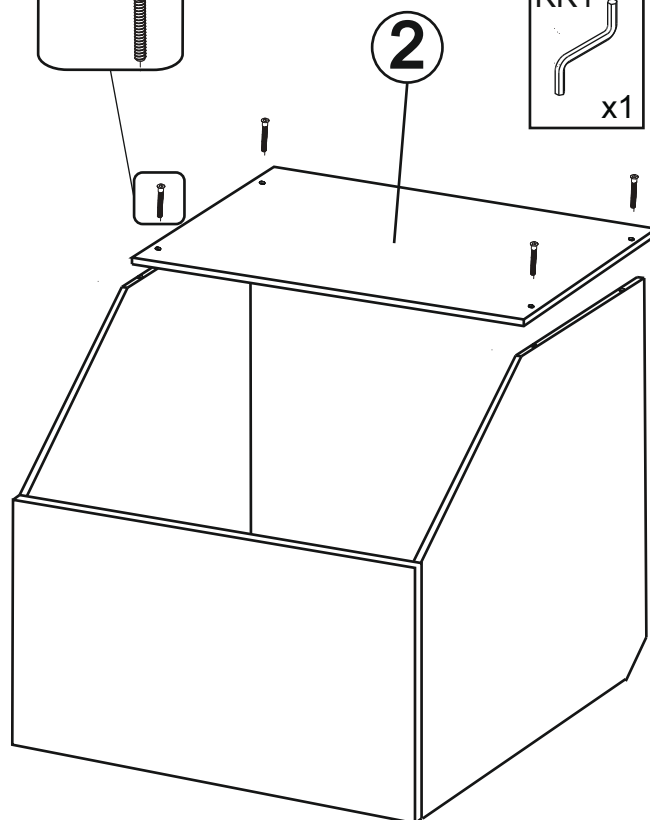
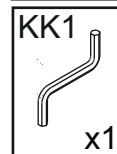
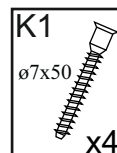
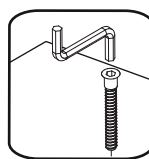
### 06



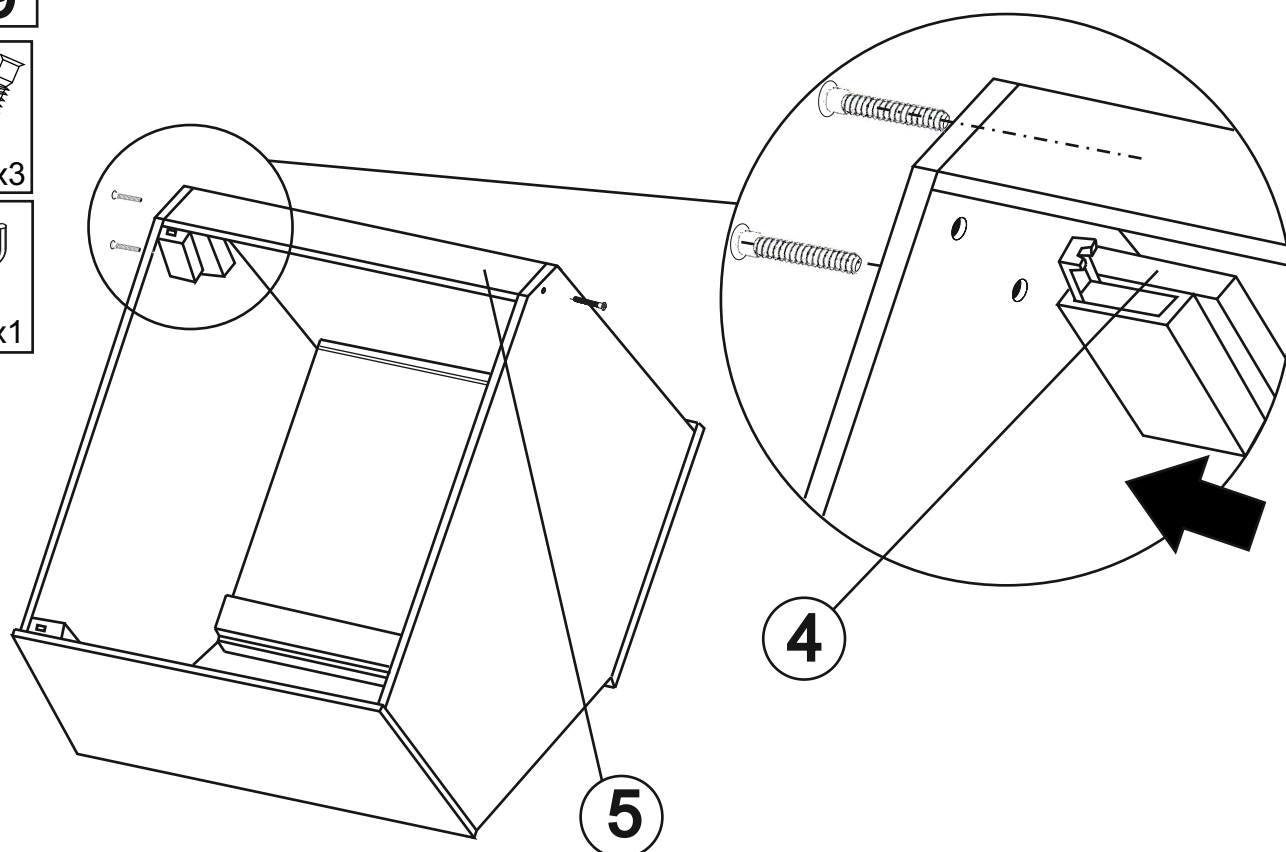
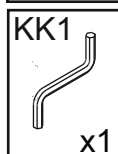
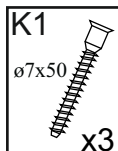
### 07



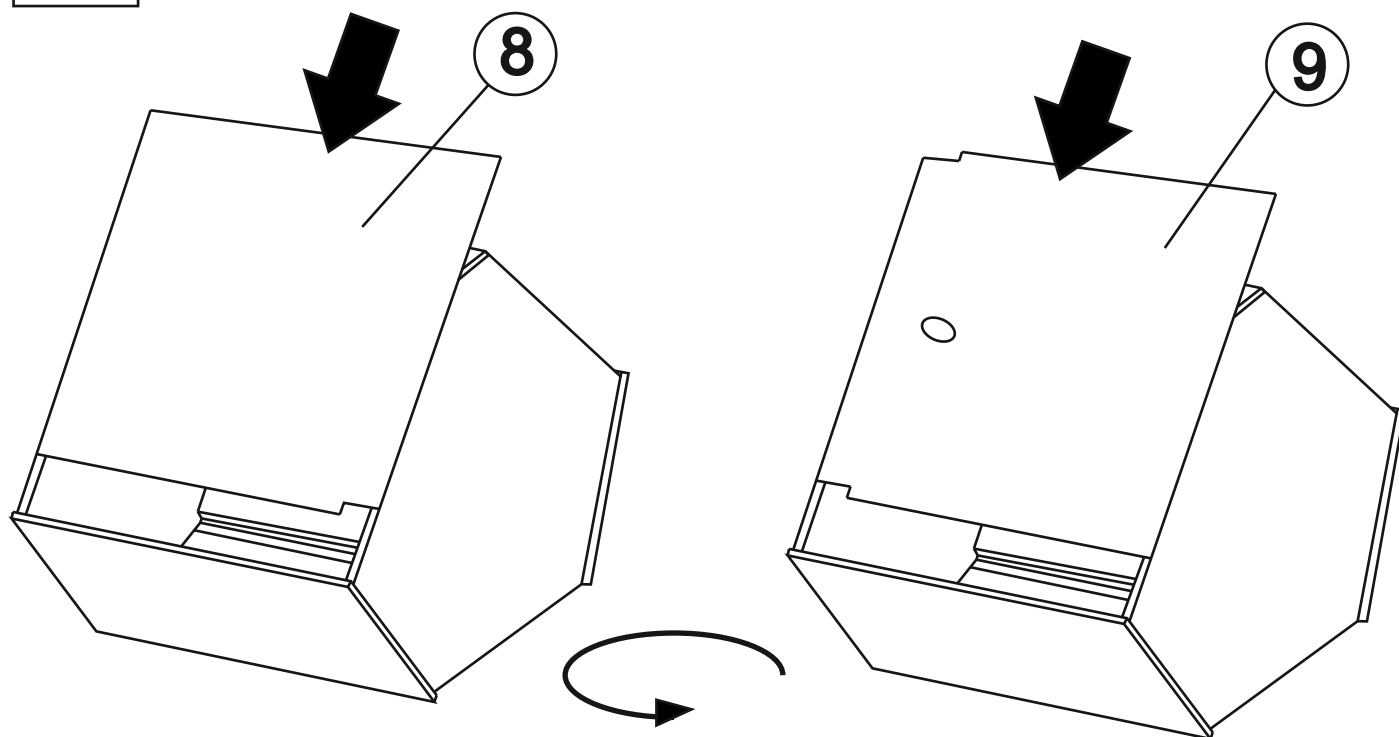
### 08



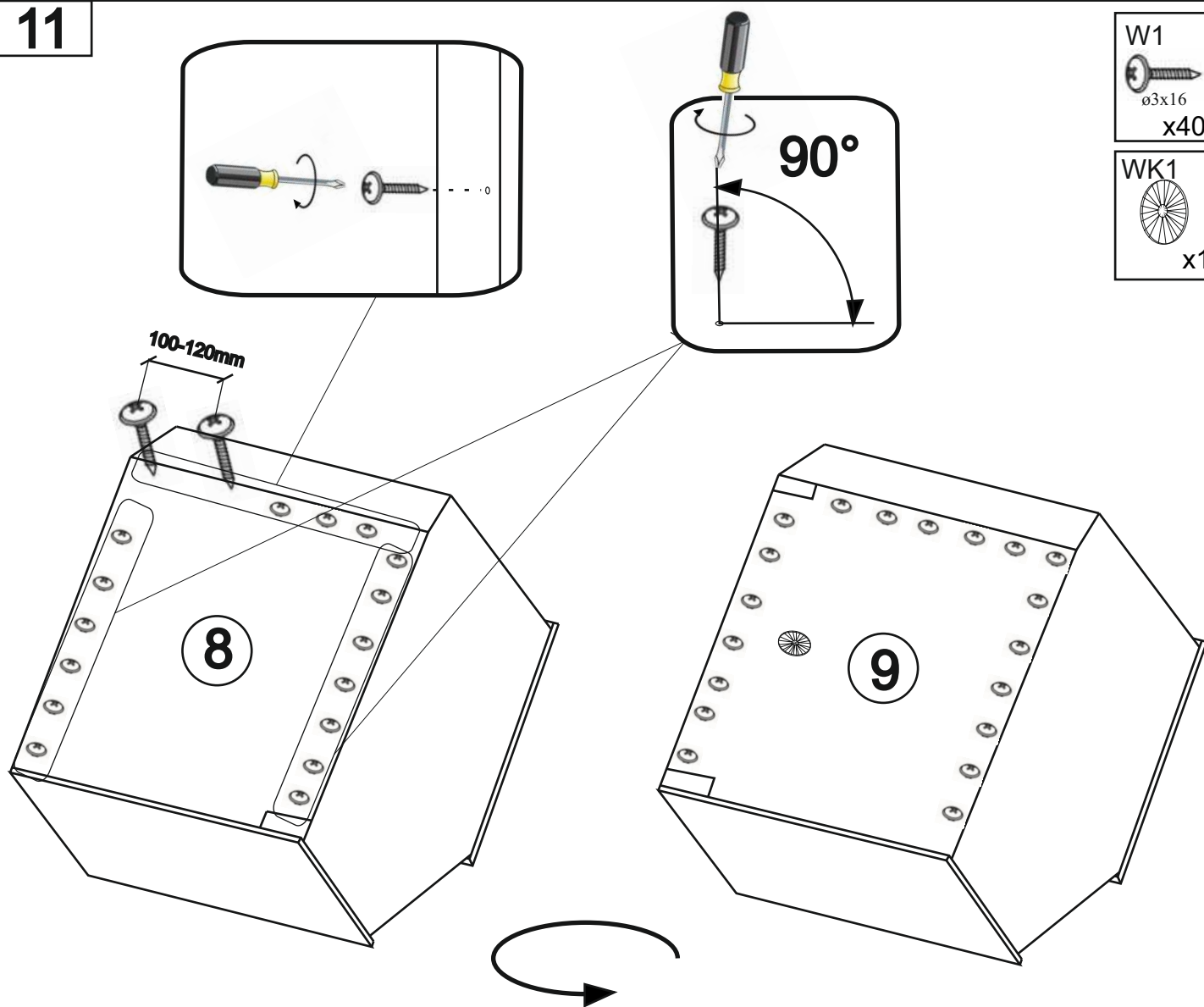
### 09



## 10



## 11



## 12

ZK1



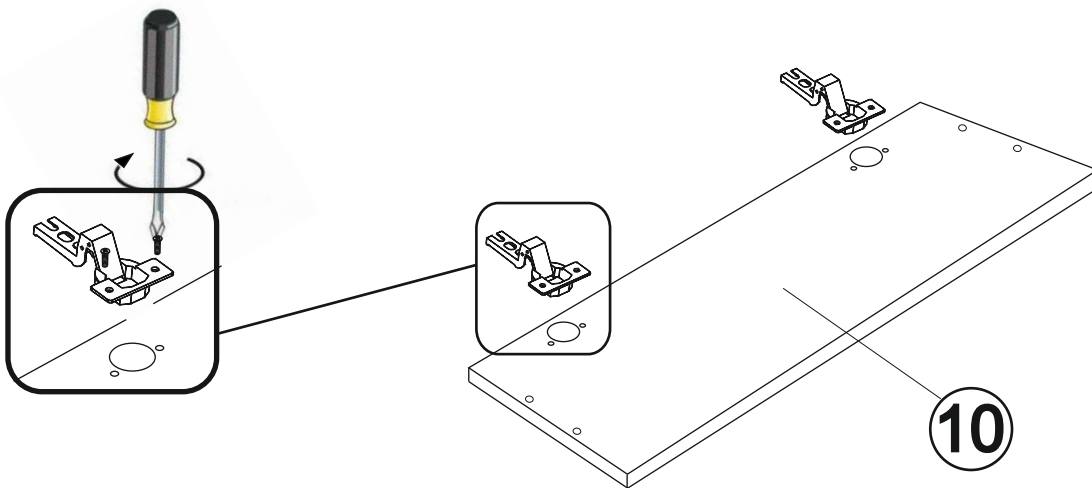
x2

W4



ø4x13

x4



10

## 13

U50



x1

W11



ø3,5x16

x4

AM2



x1

AM1



x1

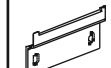
KRW1



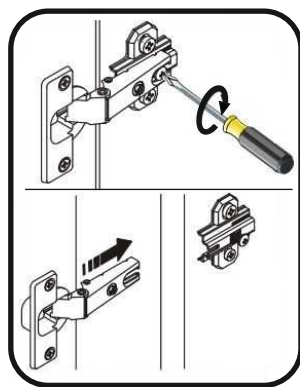
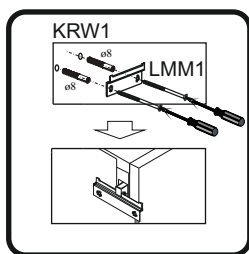
ø8

x6

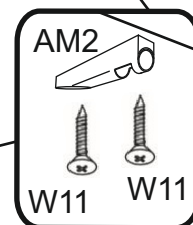
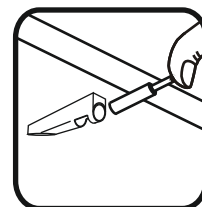
LMM1



x3



10



11

